



Portion Slicer



We are s/l/i/c/e/d bread!

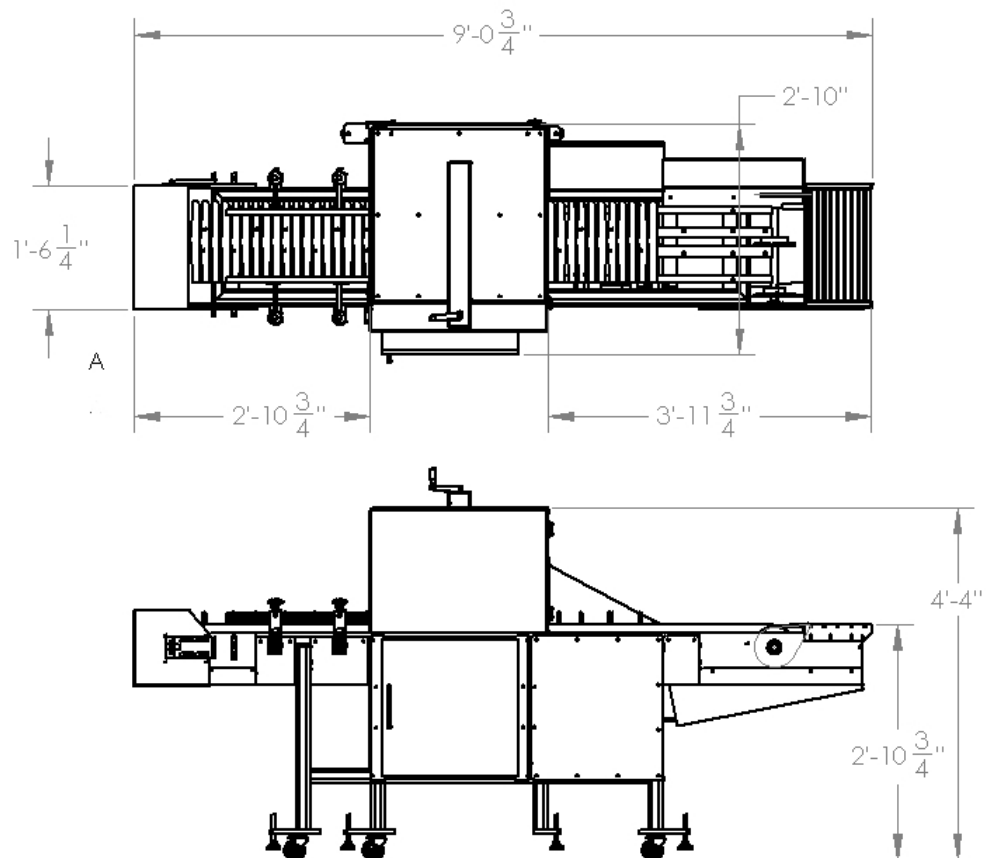
Standard Features:

- 1 HP motor on the blade drive motor
- One 3/4" arbor with four blade configuration
- 3/4 HP drive motor for the conveyor
- Conveyor made of Interlox style belting and circular blades
- Square tubular framing
- 30" wide bottom conveyor belting to accommodate the 25" long product
- Conveyors run off of a VFD to control product output
- Blades will be inverter driven to allow for a smooth slice
- 7 foot long bottom belt for increased production

Options:

- Engineered blade removal
- Variable speed conveyor
- Additional conveyor lengths

Technical Layout:



Bettendorf Stanford, Inc.
P.O. Box 790, Salem, IL 62881
E-mail: sales@bettendorfstanford.com

Phone: (800) 548-2253
Fax: (618) 548-3557
Website: www.bettendorfstanford.com