



Cuber/Dicer



We are s/l/i/c/e/d bread!

Standard Features:

- Heavy duty gearbox with 2 hp drive system
- Control Techniques drives for blade control/start-stop functions
- AB Micrologix PLC
- DC Control voltage
- NEMA 4 enclosure
- Category 3 Safeties
- Enhanced guarding for CE/CSA approval
- Torque overload clutch with overload alarm system
- Eight chrome hardened drums with sealed drums and flange bearings

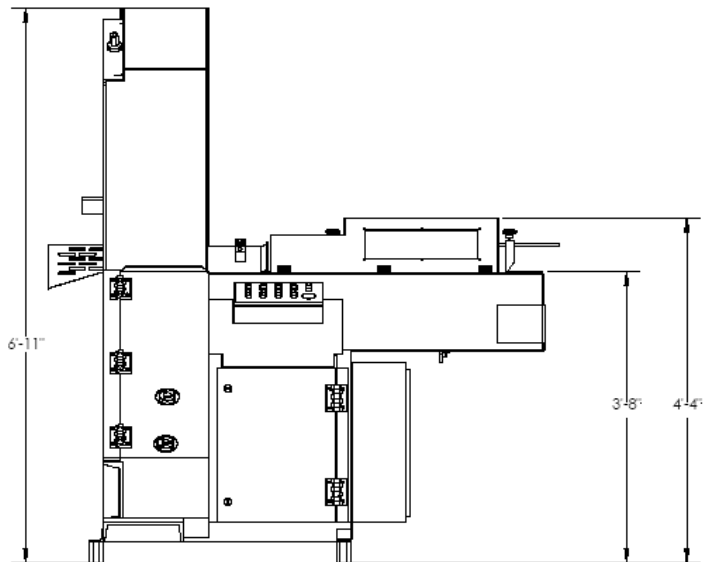
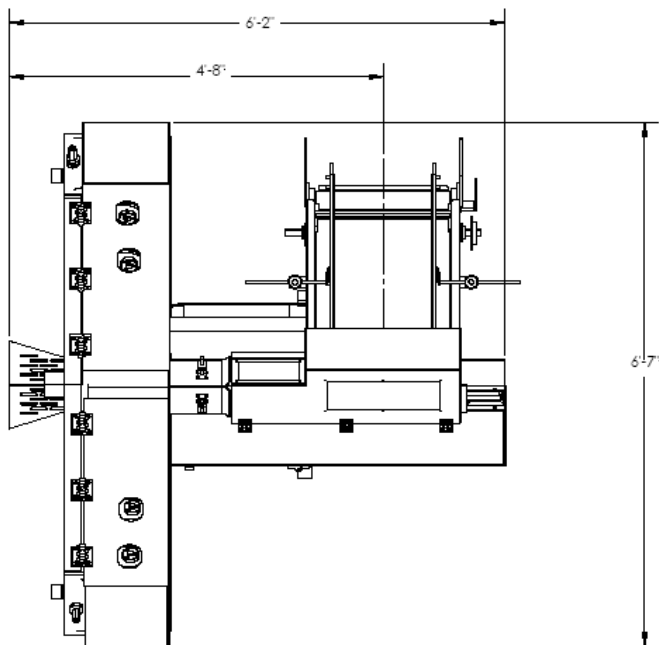
Options:

- Conveyor pause/load system
- Spray oiler system
- Double loaf eliminator
- Conveyor jam system

Specifications:

- 20 to 30 lpm depending on product
- 1/4" to 1.5" cubes
- Min/Max: 6" x 3" x 3" / 20" x 5.5" x 5.5"
- Blades: 212" length, 3/8" X .016" to .5" x .016

Technical Layout:



Bettendorf Stanford, Inc.
P.O. Box 790, Salem, IL 62881
E-mail: sales@bettendorfstanford.com

Phone: (800) 548-2253
Fax: (618) 548-3557
Website: www.bettendorfstanford.com